

# Nimbus Panel Luminaire

LED

IP44

The Nimbus is a low-profile LED panel. It provides a significant space and energy savings over a traditional recessed fluorescent.

## Key Features:

- Excellent uniformity and colour rendering
- Dimmable (Push to dim)
- Emergency version with battery status/fault condition indicator
- 5-year complete system warranty\*



## Luminaire Ratings

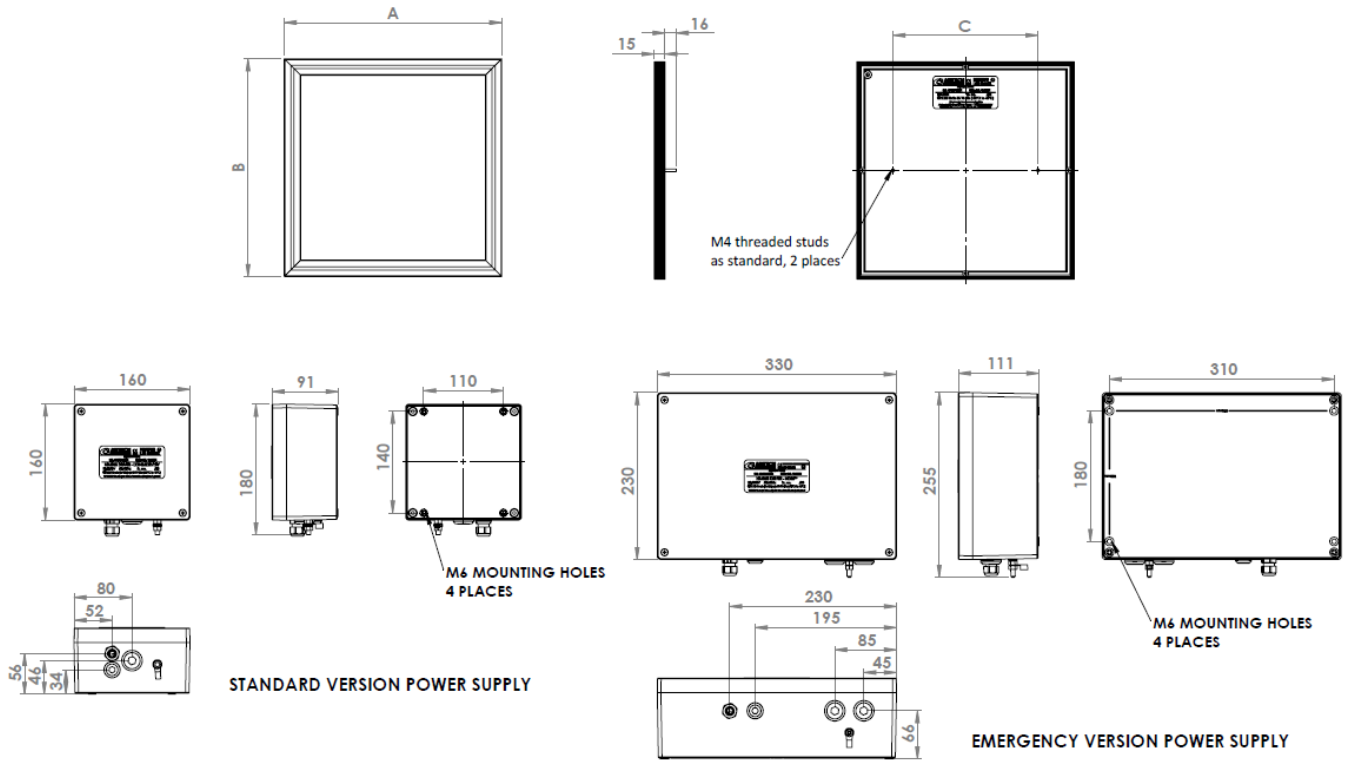
Product Reference	Dimensions (mm)	Power (W)	Lumen Output (lm)	Efficiency (lm/w)	Weight inc. Driver (Kg) Std / Em
LX1NIM12LB57	300 x 600	18W	2,100	116	6.8 / 12.8
LX1NIME12LB57	300 x 600	18W	2,100	116	6.8 / 12.8

## Standard Specifications

Luminaire Type	LED panel luminaire
Ingress Protection	IP44 Panel, IP66 Driver to EN60529
Ambient Range	-20°C to +45°C
Material	Panel: Aluminium frame, PMMA diffuser / Driver: Aluminium enclosure
Lamp Type	Light emitting diode, pure white (5700K)
LED Life	50,000 hours L <sub>70</sub> @ 25°C
Colour Rendering Index	CRI 80
Installation Connections	3.5m flying lead from driver to panel. Cable is fire retardant LSZH to IEC 60331-21 & 31, IEC 60754-1 and IEC 61034-2
Control Gear	Electronic driver: EN60601-1 (CE), EN61204-3 (EMC), EN61000-4-5 (Surge Protection Class 3).
Dimming	Push to dim: 100% > 75% > 50% > Off
Mounting	Surface mount, recessed or via brackets
Supply	90V to 264V 50/60Hz ac
Emergency Duration	180 minutes at 25% output (optional 90 minutes at 50% output)
Battery	6V 4.5Ah Ni-Cd
Area Classification	Zone 1, Gas
Type of Protection	Panel – Ex ib (intrinsically safe) Driver – Ex eb ib q (increased safety, intrinsically safe, sand filled)
Apparatus Coding	Panel – Ex ib IIB T4 Gb Driver – Ex eb [ib Gb] qb IIB T4 Gb
Certificate Number	CML 16ATEX3026X / IECEx CML 16.0020X

\* Warranty excludes batteries for emergency version.

LED PANEL



NIMBUS12	
A	300
B	600
C	400

Options

E90	90-minute emergency duration (90 minutes at 50% output)
-----	---

Add the required suffix to the product reference.

Example: **LX1NIM12LB5790** = Zone emergency panel with 90 minute battery pack.

Control Enclosure Mounting Feet (LX4NIM-EMF)



Set of four stainless steel mounting feet with fixings for attaching to control gear enclosure.