

VisEx Instrument Enclosure

IP66/67

The VisEx instrumentation housing is suitable for housing various POE (power over Ethernet) camera and vision systems where operation in a Zone 1 hazardous area is required.

- Marine grade stainless steel housing
- Suitable for a range of instrumentation and camera devices
- Custom mounting brackets to suit installed device
- Superior environmental protection



Enclosure Ratings

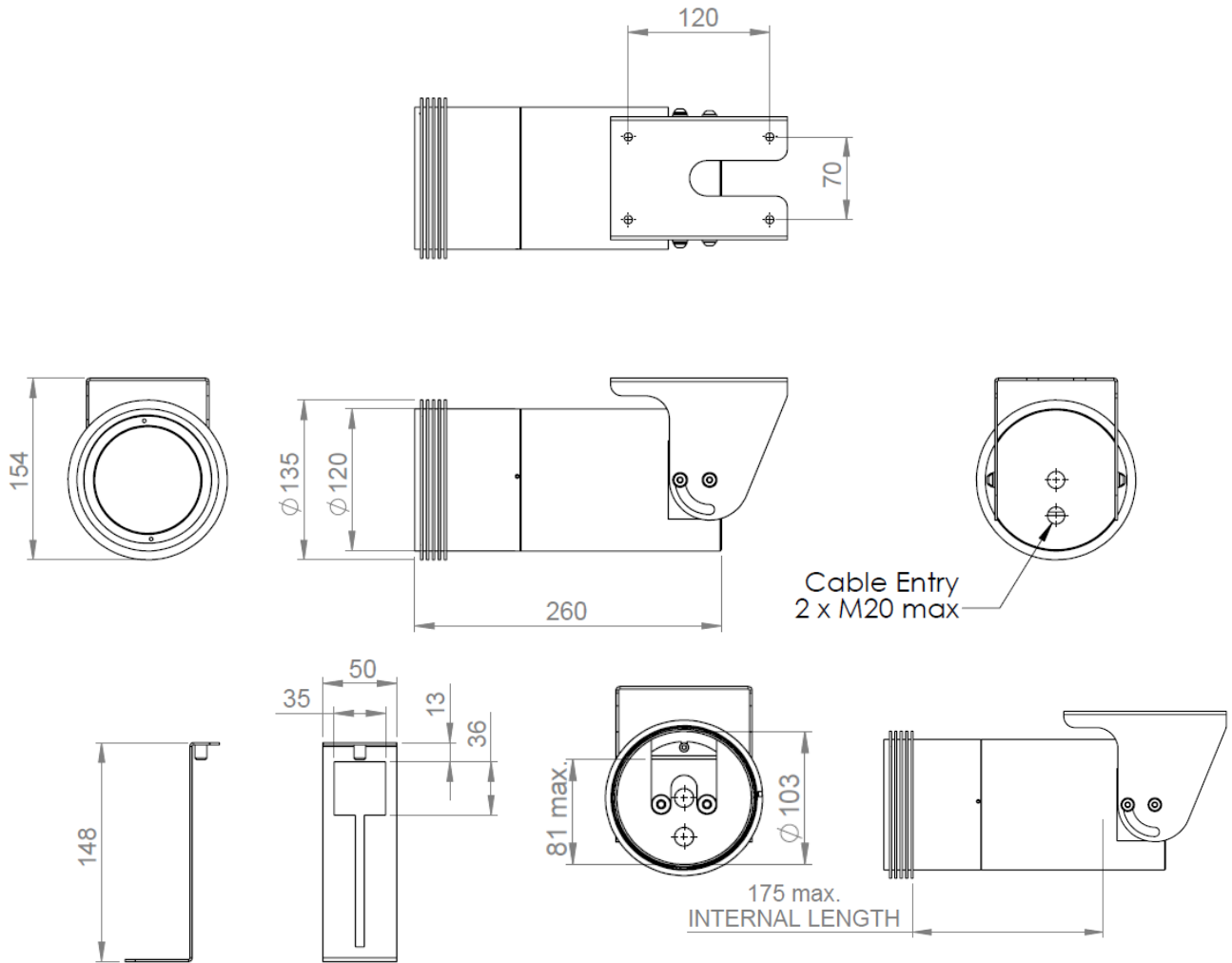
Product Reference*	Entries	Maximum Power Rating (W)*	Ambient Temperature Range	T Rating	Max External Temp for Dust	Weight (Kg)
VISEX116A4	1 x M16	8	-60°C to +65°C	T6	T80°C	10.5
		47	-60°C to +65°C	T4	T130°C	10.5
VISEX216A4	2 x M16	8	-60°C to +65°C	T6	T80°C	10.5
		47	-60°C to +65°C	T4	T130°C	10.5
VISEX120A4	1 x M20	8	-60°C to +65°C	T6	T80°C	10.5
		47	-60°C to +65°C	T4	T130°C	10.5
VISEX220A4	2 x M20	8	-60°C to +65°C	T6	T80°C	10.5
		47	-60°C to +65°C	T4	T130°C	10.5
VISEX116120A4	1 x M16	8	-60°C to +65°C	T6	T80°C	10.5
	1 x M20	47	-60°C to +65°C	T4	T130°C	10.5

* Refers to the dissipated power of the device being housed inside the VisEx . If in doubt seek advice from Abtech technical department.

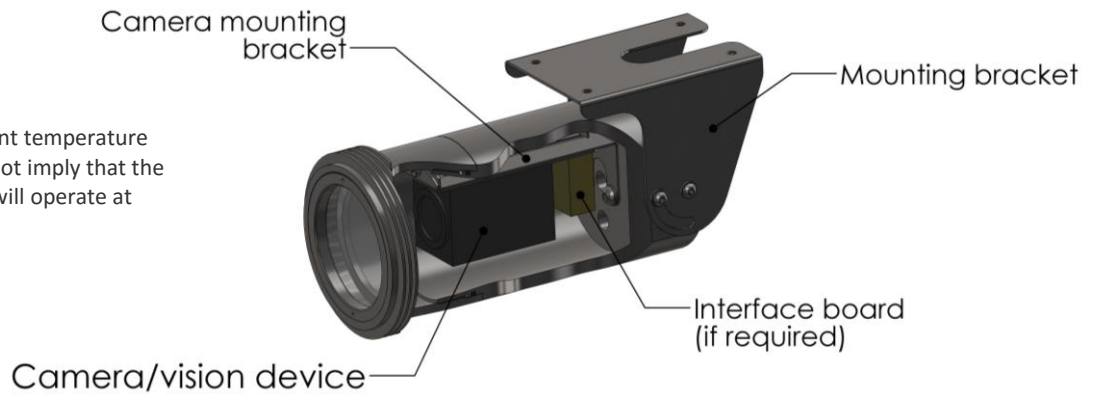
Standard Specifications

Enclosure Type	Instrumentation Enclosure
Ingress Protection	IP66/67 to EN60529
Material	316 Stainless Steel (EN 1.4404) enclosure, toughened glass window, silicone gasket and 316 stainless steel fasteners
Access	Threaded front cover assembly
Equipment Mounting	Internal mounting plate can be modified to suit range of devices.
Terminals	As per equipment to be contained
Orientation	Universal
Mounting	Mounting bracket
Supply	Maximum device voltage 60V dc
Certification	
Area Classification	Zone 1 & 2 Gas and Dust
Type of Protection	Ex d (flameproof)
Apparatus Coding	II 2 GD Ex d II (see table for temperature rating & ambient temperature range)
Certificate Number	SIRA11ATEX1157X / IECEx SIR 11.0071X

General Arrangement



Please note: The stated ambient temperature range of -60°C to $+65^{\circ}\text{C}$ does not imply that the equipment contained within, will operate at these temperatures.



Options

Custom internal mounting brackets are available upon request

Accessories

There are no accessories for this product