

nD8611 Bulkhead



IP65

The nD8611 is a compact LED bulkhead is designed for use in heavy industrial and marine environments to identify escape routes.

Key Features:

- Compact and lightweight, ideal for building, walkway and stairwells.
- Maintained or Non-Maintained operation
- Instant 100% light output in emergency mode
- Automatic battery monitoring and fault indication.
- Exit signage to ISO 7010 and ASR A1.3 (Viewing distance = 22m).



Luminaire Ratings

Product Reference	Colour Temperature (K)	Lumen output	Power (W)	Ambient Temperature*	Weight (kg)
LX2ND8611201	6,500	100	4W	-20°C to 40°C	0.9
LX2ND86112013	6,500	100*	4W	-20°C to 40°C	1.3

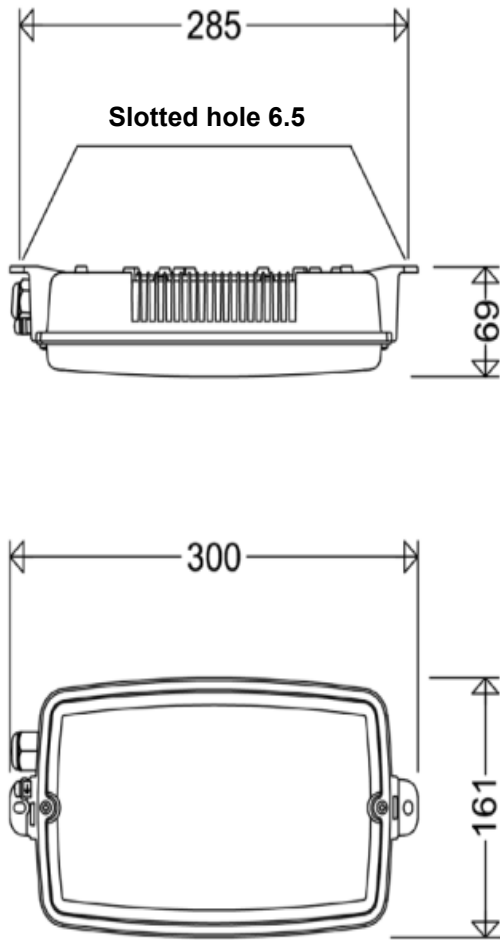
* - Lumen output in Emergency mode is unchanged

Standard Specifications

Luminaire Type	LED bulkhead luminaire
Ingress Protection	IP65 to EN60529
Material	Diecast Aluminium housing, polycarbonate opaque cover and silicone gaskets
Lamp Types	Light Emitting Diode, Pure White (5700K)
Colour Rendering Index	> 70
LED life	50,000 hours L ₇₀ @ 40°C
Cable Entry	1 x M20 entry (front side). Supplied with 1 x M20 plastic gland
Terminals	3 or 4 poles for up to 2.5mm ² conductors
Control Gear	HF electronic driver with electronic deep discharge protection to EN 61347-2-7
Orientation	Universal
Mounting	Via 6.5mm slotted holes in body
Supply	220 to 240V 50/60Hz ac
Battery	6V 4.5Ah Ni-Cd
Emergency Operation	Maintained or non-maintained
Emergency Duration	180 minutes (3 hours) at 100% output
Area Classification	ATEX Zone 2 & 22, Gas and Dust
Apparatus Coding	Ex II 3 G Ex nR* IIC T4 Gc Gc, Ex II 3 D Ex tc IIIC T80°C Dc
Certificate	SH 14.8611

* - Ex nR test port provided on side of luminaire

Luminaire Dimensions



Exit Signage to ISO 7010



Options

ZB	Preparation for use with central battery system
RR	Looping facility (2 x M20 entries same side)
ECG	24V extra-low voltage
60	60-minute emergency duration (100% output)
A50	High ambient +50°C operation

Add the required suffix to the product reference.

Example: **LX2ND8611201ZB** = nD8611 bulkhead with preparation for central battery system

Accessories

LX4ND8611-RMD	Self-adhesive running man (Down arrow)
LX4ND8611-RML	Self-adhesive running man (Left arrow)
LX4ND8611-RMR	Self-adhesive running man (Right arrow)
LX4ND8611-8621	Spare 3-hour battery
LX4ND8611-DIF	Replacement frosted diffuser