

APC Photocell

IP66/67

The APC provides the ability to control the switching of lighting in hazardous areas, without the need for major rewiring of existing circuits. Based on Abtech's proven BPG enclosure range, the photocell combines tried and tested circuitry with superior ingress and UV protection.



- Reduce carbon emissions and running costs by switching off lighting automatically when a specific light level is reached
- Standard switching level is 70 lux
- Built in delay of 25 seconds to prevent nuisance switching

Luminaire Ratings

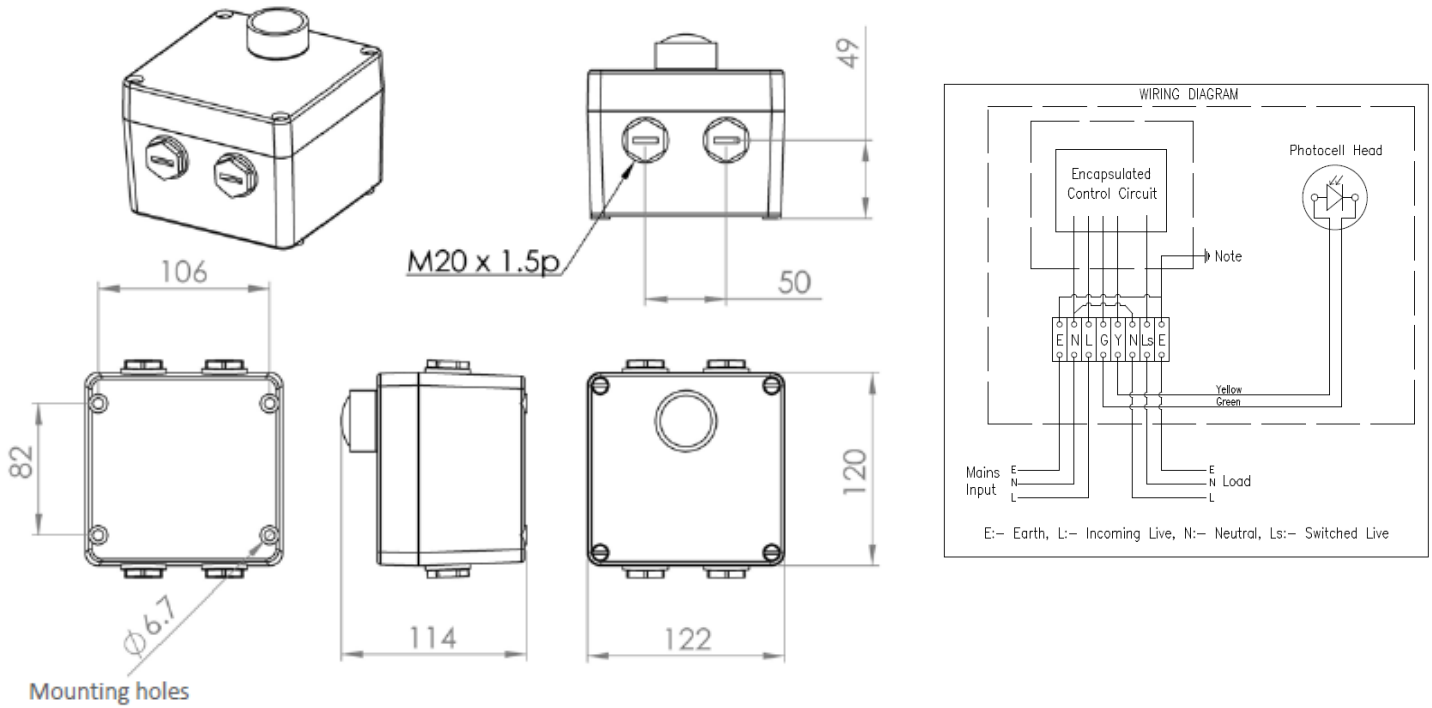
Product Reference	Load Types	Current Rating (A)	Light Level (lux)	Temperature Rating*	Ambient Temperature*	Weight (kg)
LX1APC104M20	Resistive & Inductive	10	70*	T6	-40°C to 55°C	2.0

*Alternative switching levels are available; refer to table on page 2

Standard Specifications

Luminaire Type	Zone 1 photocell
Ingress Protection	IP66/67 to EN60529
Material	Glass reinforced polyester housing, polycarbonate sensor window, stainless steel fixings
Lamp Types	Suitable for use with all lamp types, resistive and inductive loads
Cable Entry	4 x M20 tapped entries. Supplied with 4 x Ex plugs
Terminals	Terminals block for up to 6mm ² conductors
Control Gear	Electronic with on load switching up to 10A
Orientation	Universal
Mounting	Via rear mounting holes
Supply	110 to 254V 50/60Hz ac dc
Certification	
Area Classification	Zone 1 & 21, Gas and Dust
Type of Protection	Ex e mb (increased safety, encapsulation)
Apparatus Coding	II 2 GD Ex e mb IIC T6 Gb, Ex tb IIIC T80°C Db
Certificate Number	SIRA 10ATEX5274X / IECEx SIR 10.0171X

Dimensions



Switching

ON	OFF				
Switching Ratio	1 : 1	1 : 0.5	1 : 1.5	1 : 2	1 : 3
70 lux	70 lux	35 lux	105 lux	140 lux	210 lux
18 lux	18 lux	9 lux	27 lux	36 lux	54 lux
55 lux	55 lux	27.5 lux	82.5 lux	110 lux	165 lux
100 lux	100 lux	50 lux	150 lux	200 lux	300 lux

Standard switching is 70 lux with a 1:1 on/off ratio

Options

Lxx/Ratio Non-standard lighting level (e.g. L18/115 = 18 lux, on/off ratio 1 : 1.5)

Add the required suffix to the product reference.

Accessories

LX4APC-MF	External mounting feet
ABRE-M20M16	M20 to M16 reducer
ABAD-M20M25	M20 to M25 adaptor